



Superior Design, Visible Performance

Marker Band Control System

One white marker band for endoscopic release control.



The radiopaque ends of the compressed stent will appear as fluoroscopic marker bands

One moving radiopaque marker band on the outer catheter shows the released portion of the stent.

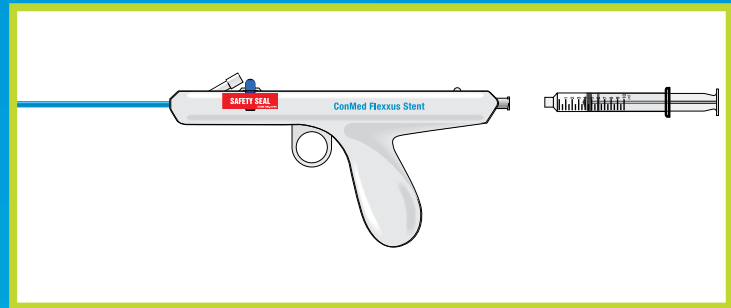
1

- Introduce duodenoscope and perform ERCP.
- Mark distal and proximal borders of tumor with radiopaque markers either internally or externally.
- Select the appropriate stent size.
- Insert a .035 inch guidewire through the endoscope, into the bile duct, and pass through the stricture.



2

- Flush the delivery system with sterile saline solution through the two injection ports on the pistol handle.



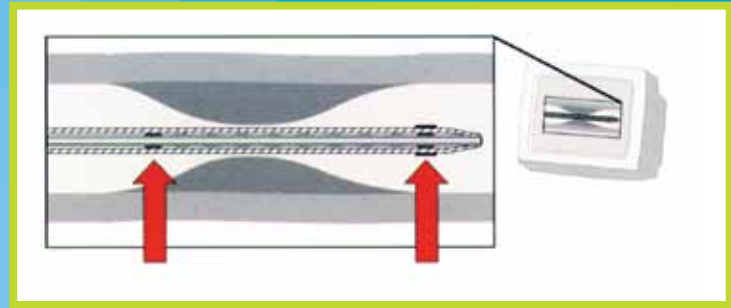
3

- Insert the stent delivery system over the guidewire and through the endoscope.
- Under fluoroscopic guidance, advance the system through the stricture.



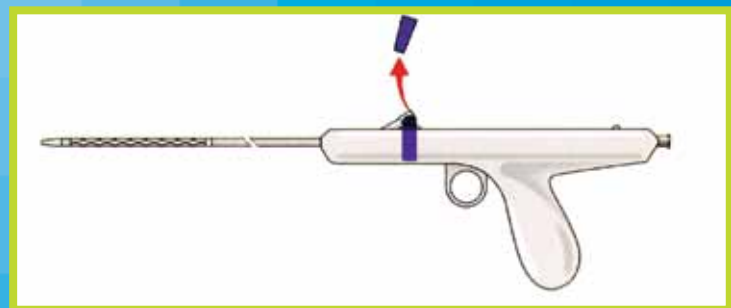
4

- Position the two radiopaque stent ends using the previously determined reference points.



5

- After the stent has been positioned within the stricture, remove the blue safety tab on the handle.



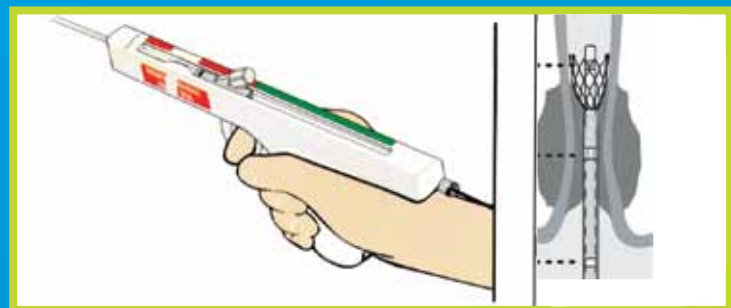
6

- In the case of transpapillary stenting, make sure that the endoscopic white marker band does not protrude more than 5mm beyond the papilla into the duodenum.



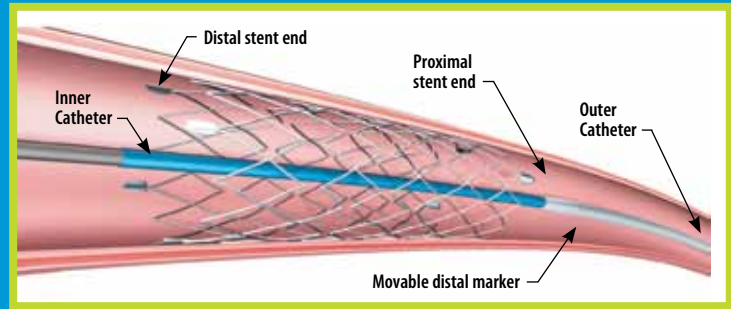
7

- Slowly pull the trigger on the pistol handle to begin deployment.
- Stent release begins after approximately 3 to 4 full trigger pulls.



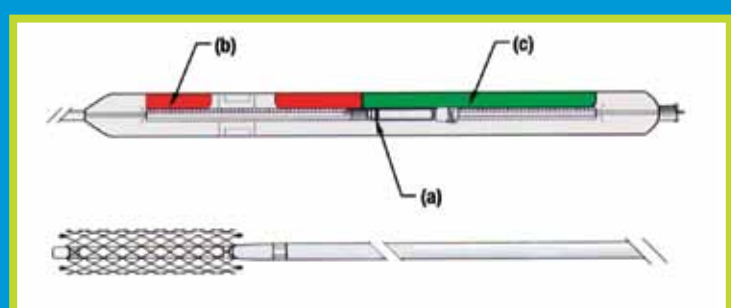
8

- Once the stent end is securely anchored in the bile duct, continue to release the stent by pulling the trigger until deployment is complete.



9

- The stent is fully released when:
The indicator (a) has crossed the line from the "red area" (b) to the "green area" (c) on the top of the pistol handle.
The moving radiopaque marker on the outer catheter sheath has passed the radiopaque markers on the proximal end of the stent.



STEP BY STEP PLACEMENT

DELIVERY SYSTEM: Length 190 cm; Diameter 7.5 F; Recommended GUIDEWIRE: stiff-bodied, .035" (FXWire code: FX354505). WARNING: The Safety and Effectiveness of this Device for Use in Vascular System Have Not Been Established.

Prior to use, please consult product insert for indications, contraindications, instructions for use, warnings and precautions. Flexxus is a trademark of ConMed, Inc. or an affiliate.