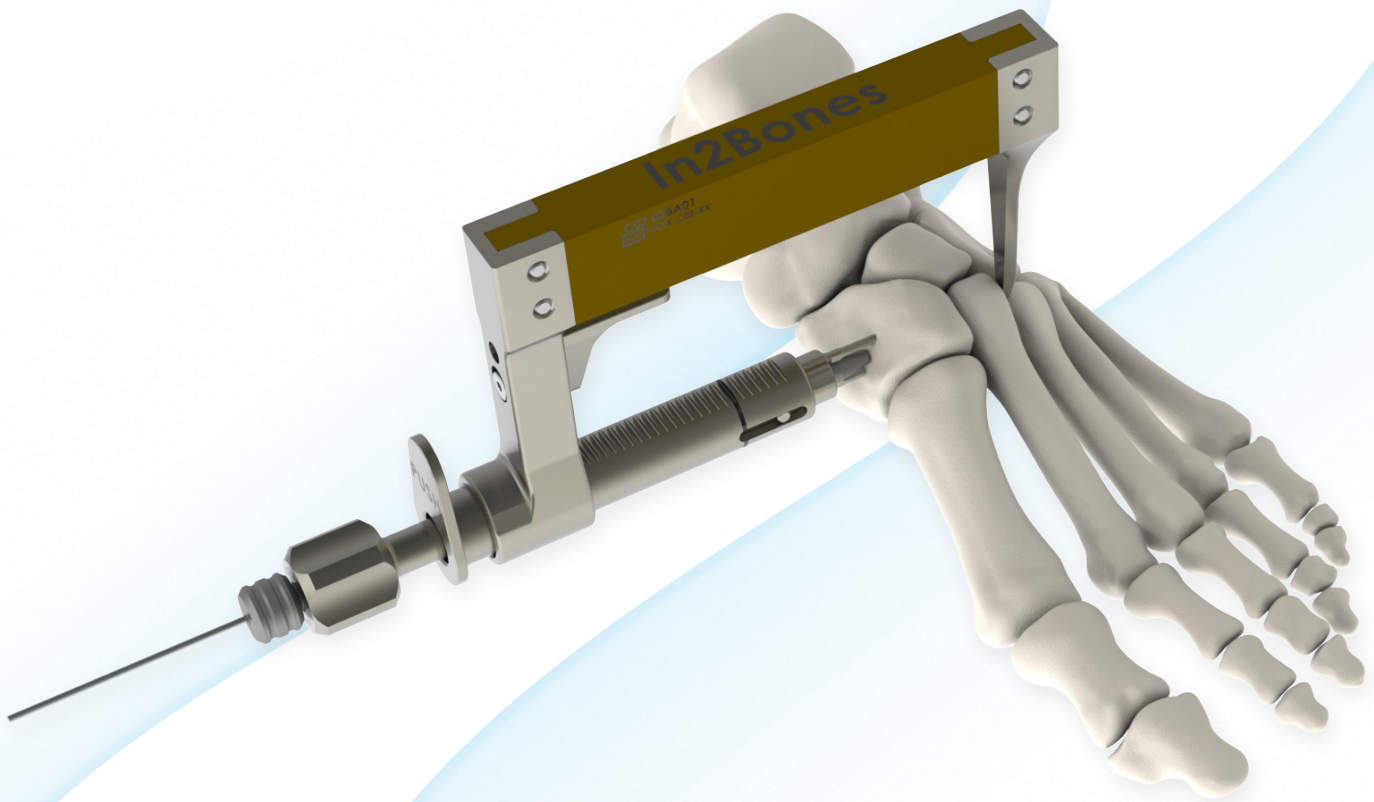


# CoLink<sup>®</sup> Mfx

## Lisfranc Targeting Guide



Guided Lisfranc Joint Reduction

Radiolucent for X-Ray Visibility

Targeted Instrumentation for Placement of 4.0 CoLag Screw



A GLOBAL EXTREMITY COMPANY

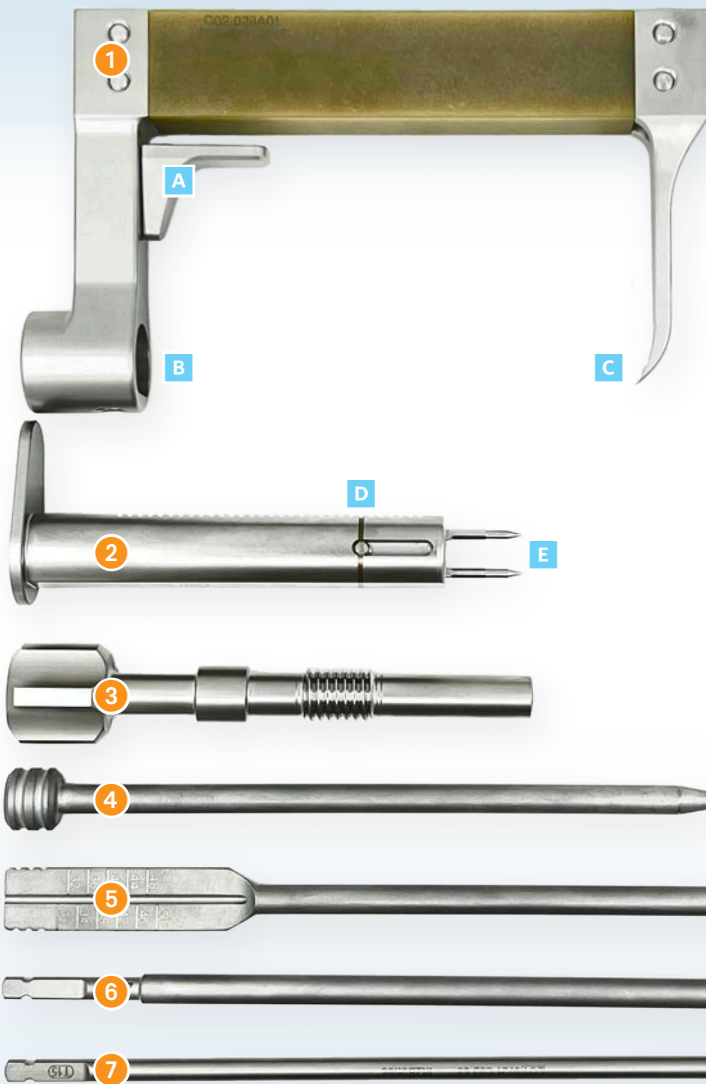
# CoLink® Mfx

## Lisfranc Targeting Guide

Guided Lisfranc Joint Reduction

Radiolucent for X-Ray Visibility

Targeted Instrumentation for Placement of 4.0 CoLag Screw



### CoLink® Mfx Lisfranc Targeting Guide Instruments

- 1 Lisfranc Targeting Guide, Guide Clamp, Subassembly - C02 N0061
  - A Trigger
  - B Through-Hole
  - C Hook
- 2 Lisfranc Targeting Guide, Ratchet Tube, Subassembly - C02 N0071
  - D Slot Laser Mark
  - E Trocar Sleeve and Tips
- 3 Lisfranc Targeting Guide, Rod - C02 N0031
- 4 Lisfranc K-wire Guide, Ø1.6mm - C02 N0041
- 5 Lisfranc Screw Depth Gauge - C02 N0051
- 6 Lisfranc Drill, Ø2.7mm, Cannulated, Sterile - C02 S0081
- 7 Lisfranc Driver, T15, Cannulated, Sterile - C02 S0091

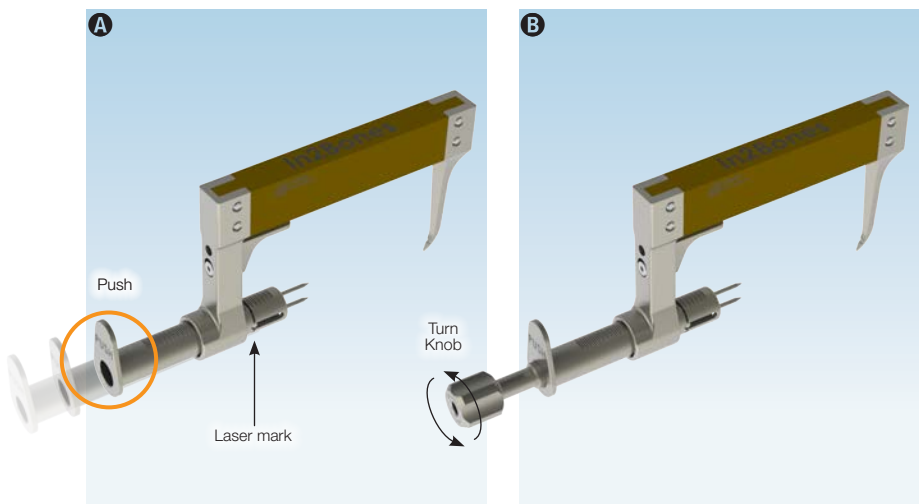


Figure 1



Figure 2

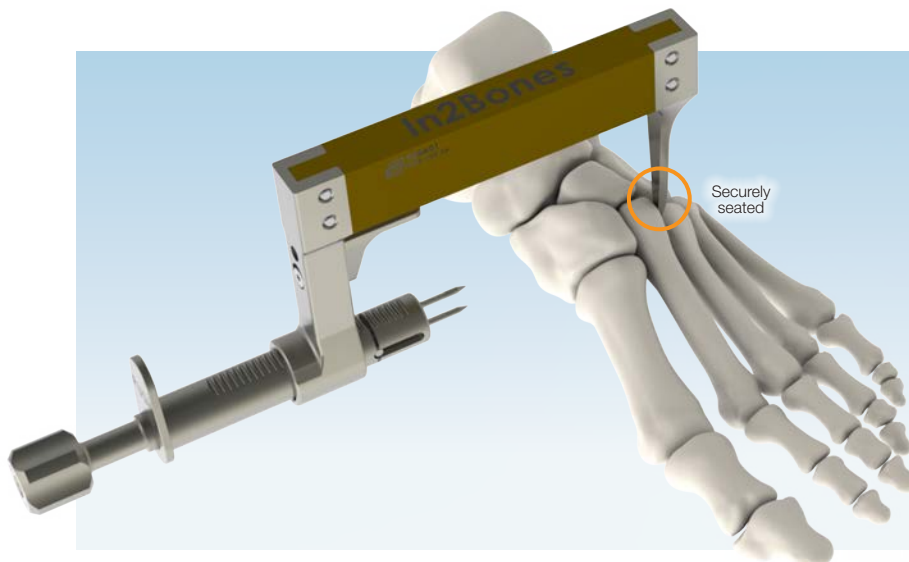


Figure 3

### Back Table Assembly

Align the trocar tip end of the Ratchet Tube with the Guide Clamp Through-Hole. Slide the Ratchet Tube through the Clamp until the Ratchet Tube Slot Laser Mark exits the opposite end of the opening. **Figure 1A**

Pull the Guide Clamp Trigger to release the ratchet teeth and allow for reverse motion of the Tube, if needed.

Tilt the Guide Clamp to slide the Trocar Sleeve flush with the laser mark on the Ratchet Tube.

Insert and thread the Rod into the Ratchet Tube until in contact with the Trocar Sleeve and movement is detected in the groove. **Figure 1B**

**Note:** This is the home position to allow for maximum compression once the Guide is placed on the bone.

### Surgical Steps

Create a small stab incision at the base of the 2nd/3rd intermetatarsal space. **Figure 2**

**Note:** Take care to avoid neurovascular, tendinous, and ligamentous structures including but not limited to the extensor hallucis longus, superficial peroneal nerve, extensor digitorum longus, and extensor digitorum brevis, during incision creation.

Position the distal end of the Guide Frame Hook into the prepared stab incision until seated securely at the lateral base of the second metatarsal.

Align the Trocar Tips to the desired orientation relative to the medial cuneiform, confirming the trajectory and alignment under fluoroscopy. Mark the planned screw entry point with a skin marker, taking into account subdermal structures. **Figure 3**

SURGICAL TECHNIQUE  
**CoLink® Mfx**  
Lisfranc Targeting Guide

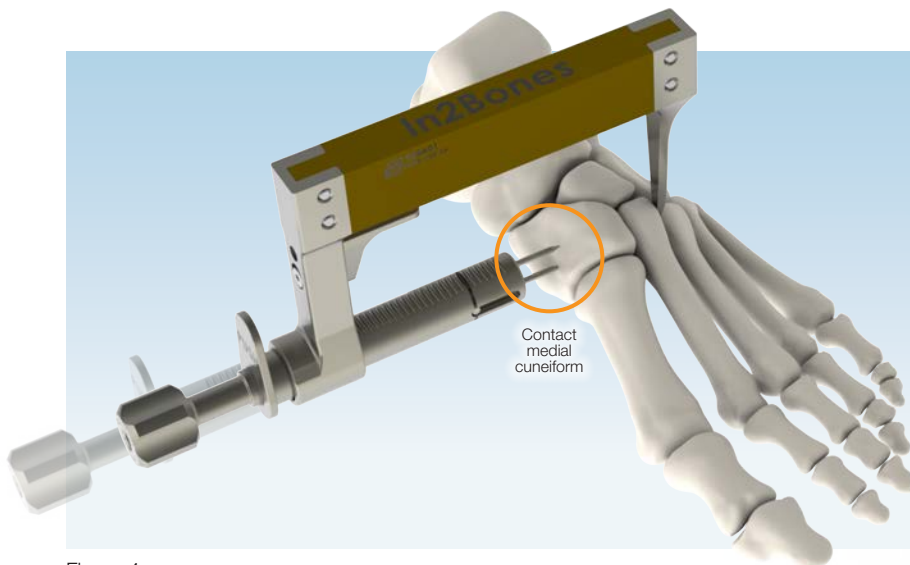


Figure 4

Advance the Ratchet Tube Subassembly until the Trocar Tips pierce the skin over the previously marked screw entry point. Apply provisional compression across the joint with the Ratchet Tube. **Figure 4**

Using fluoroscopy, confirm the desired trajectory has been established.

Make an incision between the Trocar Tips at the desired location.

**Note:** Take care to avoid neurovascular, tendinous, and ligamentous structures including the tibialis anterior tendon, during seating of the Trocar Tips and incision creation.

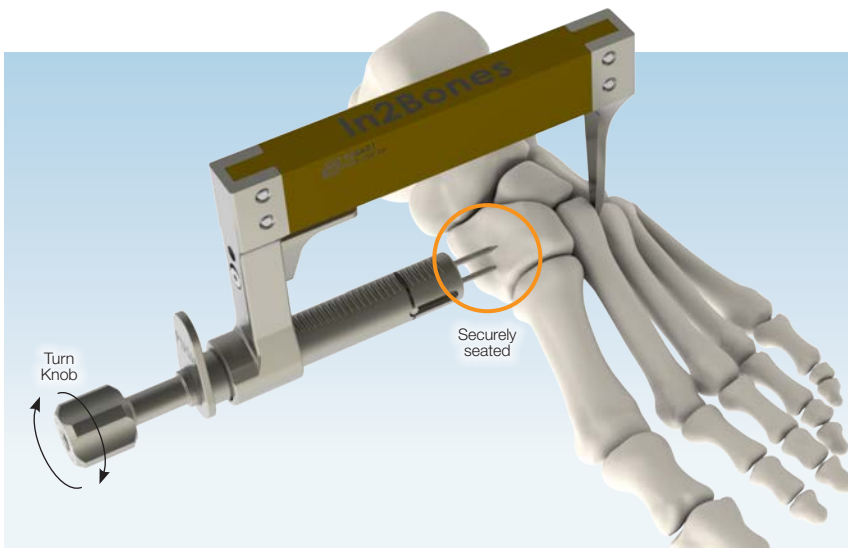


Figure 5

Turn the knob of the Rod clockwise to further advance the Trocar Tips until securely seated into the medial cuneiform and the desired amount of joint reduction and mechanical compression is achieved. **Figure 5**

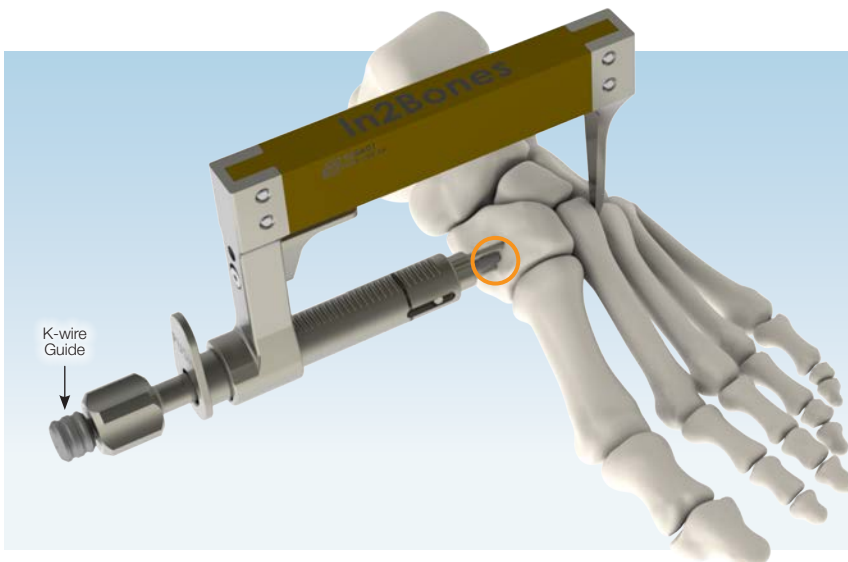


Figure 6

Slide the K-wire Guide into the Targeting Guide through the Rod cannulation until the tip is in contact with the medial cuneiform.

**Figure 6**

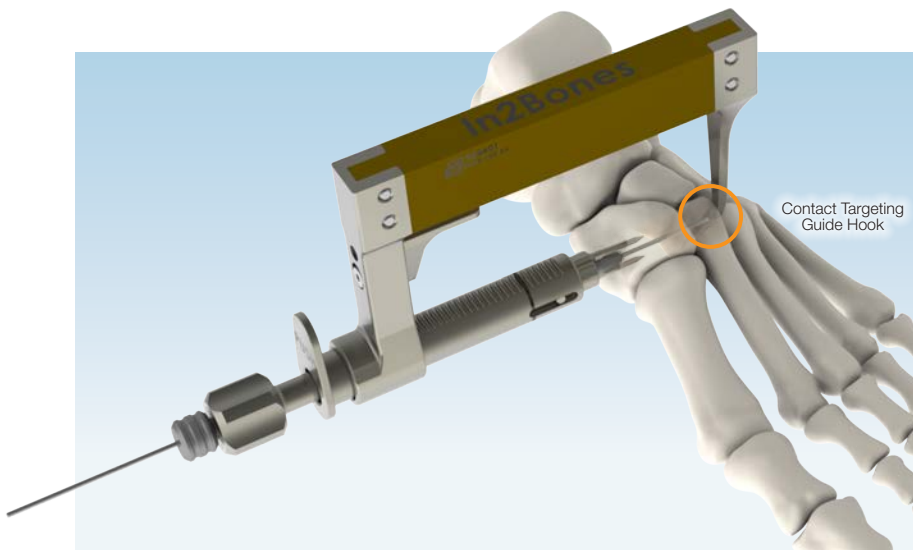


Figure 7

Under fluoroscopy, insert the 0.062x9” K-wire into the K-wire Guide and advance until contacting the Guide Frame Hook. **Figure 7**  
Remove the K-wire Guide.

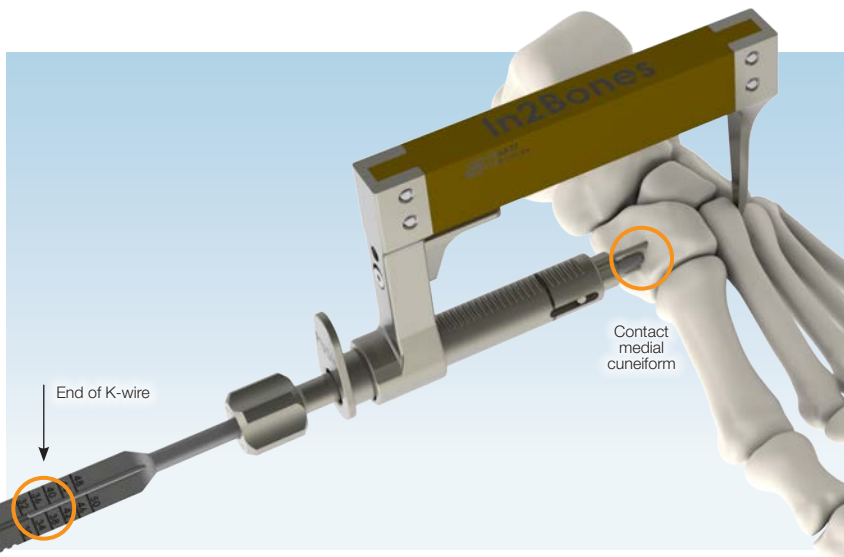


Figure 8

Place the Depth Gauge into the Rod cannulation until in contact with the medial cuneiform. Note the appropriate length for the 4.0mm CoLag Screw on the Depth Gauge by referencing the end of the K-wire. **Figure 8**  
Remove the Depth Gauge.

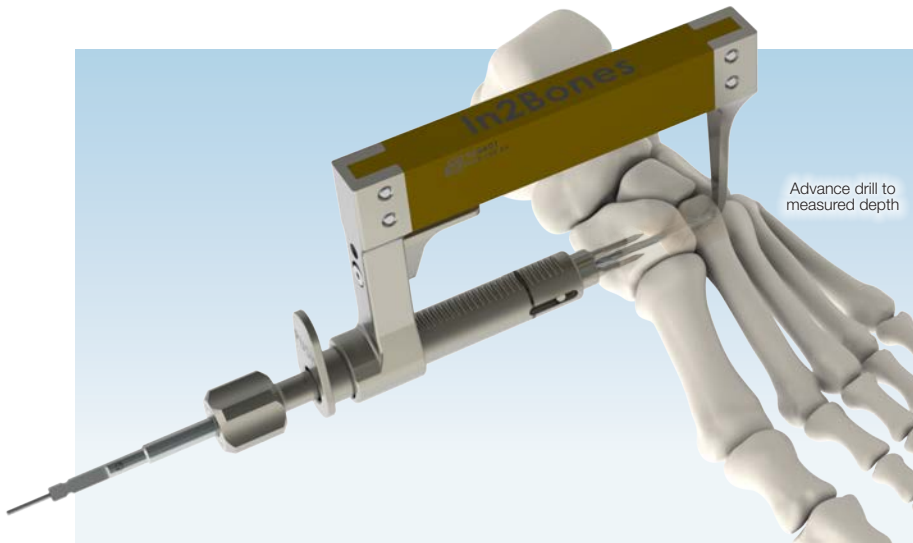


Figure 9

Assemble the 2.7mm Cannulated Drill over the K-wire and advance under fluoroscopy until the previously measured depth is reached. **Figure 9**  
Confirm the depth under fluoroscopy.

SURGICAL TECHNIQUE  
**CoLink® Mfx**  
Lisfranc Targeting Guide

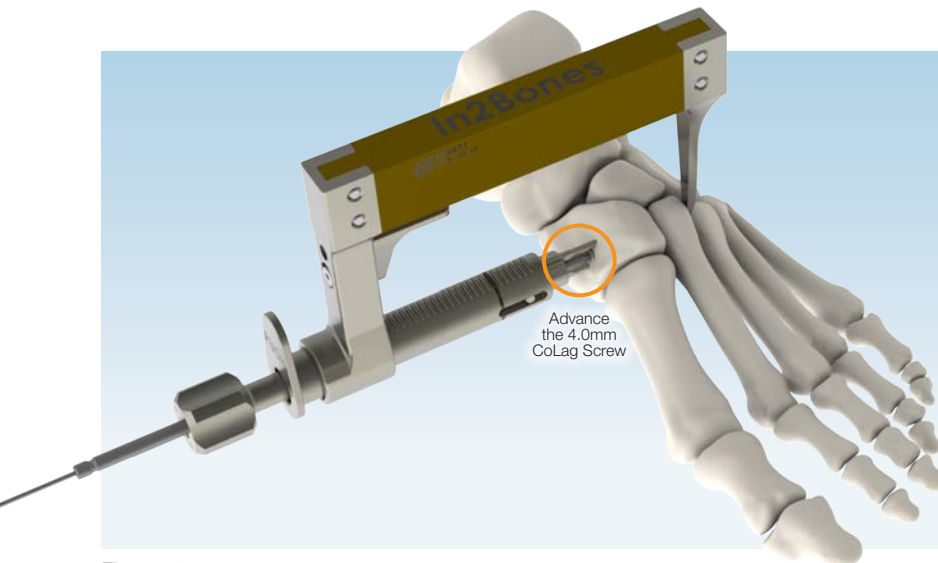


Figure 10

Using the cannulated T15 Driver, advance the appropriate 4.0mm Fully Threaded CoLag Screw into the medial cuneiform and across the joint until the head is seated flush with the cortex of the medial cuneiform. **Figure 10**

Remove the T15 Driver and K-wire.

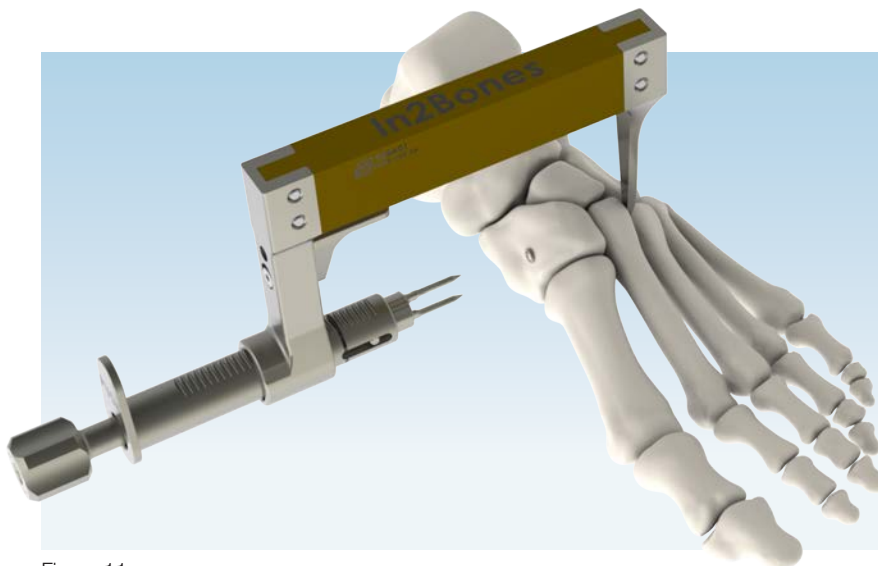


Figure 11

Pull the Guide Clamp Trigger to disengage the ratchet teeth on the Guide.

While holding the Trigger, slide the Rod and Ratchet Tube away from the medial cuneiform until the trocar tips are clear of soft tissue.

**Figure 11**

Remove the Lisfranc Targeting Guide from the operative field. **Figure 12**

**Note:** Additional fixation using the CoLink Mfx Midfoot Plating System family of plates may be achieved based on surgeon preference and expertise. For additional information, reference the CoLink Mfx Midfoot Plating System surgical technique.

Upon completion of internal fixation, close the wound per surgeon preference.

**Disassembly**

Engage and hold the Guide Clamp Trigger to disengage the ratchet teeth on the Guide. Remove the Rod and Ratchet Tube from the Guide Clamp.

Rotate the Rod counterclockwise until all threads are disengaged from the Ratchet Tube and remove the Rod.



Figure 12



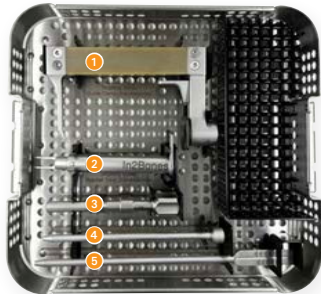
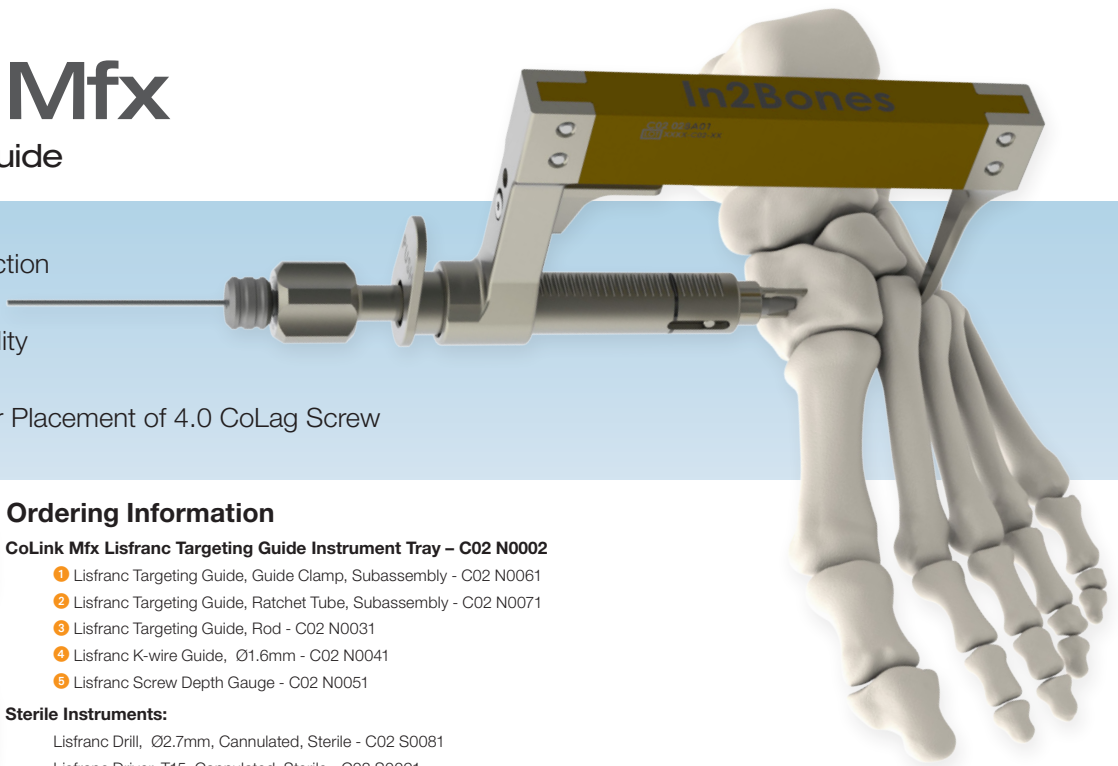
# CoLink® Mfx

## Lisfranc Targeting Guide

Guided Lisfranc Joint Reduction

Radiolucent for X-Ray Visibility

Targeted Instrumentation for Placement of 4.0 CoLag Screw



### Ordering Information

#### CoLink Mfx Lisfranc Targeting Guide Instrument Tray – C02 N0002

- 1 Lisfranc Targeting Guide, Guide Clamp, Subassembly - C02 N0061
- 2 Lisfranc Targeting Guide, Ratchet Tube, Subassembly - C02 N0071
- 3 Lisfranc Targeting Guide, Rod - C02 N0031
- 4 Lisfranc K-wire Guide, Ø1.6mm - C02 N0041
- 5 Lisfranc Screw Depth Gauge - C02 N0051

#### Sterile Instruments:

- Lisfranc Drill, Ø2.7mm, Cannulated, Sterile - C02 S0081
- Lisfranc Driver, T15, Cannulated, Sterile - C02 S0091
- K-wire, S. Trocar, Smooth, .062x9", 2-Pack, Sterile - P06 S2301

Reference CoLink Mfx Surgical Technique for plate-specific surgical steps.

#### CoLink® Mfx Lisfranc Plates



- C20 ST111..... CoLink Mfx, 1st TMT Lisfranc Plate, Right
- C20 ST211..... CoLink Mfx, 1st TMT Lisfranc Plate, Left

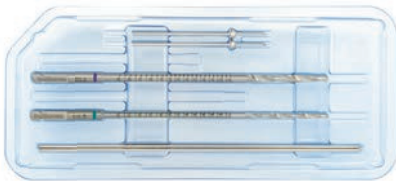


- C20 ST131..... CoLink Mfx, 1st/2nd Lisfranc Plate, Small, Right
- C20 ST121..... CoLink Mfx, 1st/2nd Lisfranc Plate, Large, Right
- C20 ST231..... CoLink Mfx, 1st/2nd Lisfranc Plate, Small, Left
- C20 ST221..... CoLink Mfx, 1st/2nd Lisfranc Plate, Large, Left



- C20 ST031..... CoLink Mfx, 2nd/3rd Lisfranc Plate, Small
- C20 ST032..... CoLink Mfx, 2nd/3rd Lisfranc Plate, Large

#### CoLink® Midfoot / CoLink 2 Sterile Instrument Kit - C02 S0001



- 2 - Guide Wire, Single Trocar, .062 x 6"
- 1 - 2.5 x 60mm Drill
- 1 - 2.0 x 60mm Drill
- 2 - Olive Wires 0.045 x 2.5"

#### T15 DRIVER, AO, Sterile - P07 S0041



#### CoLink® 3.0mm Low-Pro Cortical Screws

CATALOG NO	DIA x LENGTH	STYLE
P43 ST008	3.0 x 8mm	.....Non-Locking
P43 ST010	3.0 x 10mm	.....Non-Locking
P43 ST012	3.0 x 12mm	.....Non-Locking
P43 ST014	3.0 x 14mm	.....Non-Locking
P43 ST016	3.0 x 16mm	.....Non-Locking
P43 ST018	3.0 x 18mm	.....Non-Locking
P43 ST020	3.0 x 20mm	.....Non-Locking
P43 ST022	3.0 x 22mm	.....Non-Locking
P43 ST024	3.0 x 24mm	.....Non-Locking
P43 ST026	3.0 x 26mm	.....Non-Locking
P43 ST028	3.0 x 28mm	.....Non-Locking
P43 ST030	3.0 x 30mm	.....Non-Locking

#### CoLink® 3.0mm Locking

P43 ST108	3.0 x 8mm	.....Locking
P43 ST110	3.0 x 10mm	.....Locking
P43 ST112	3.0 x 12mm	.....Locking
P43 ST114	3.0 x 14mm	.....Locking
P43 ST116	3.0 x 16mm	.....Locking
P43 ST118	3.0 x 18mm	.....Locking
P43 ST120	3.0 x 20mm	.....Locking
P43 ST122	3.0 x 22mm	.....Locking
P43 ST124	3.0 x 24mm	.....Locking
P43 ST126	3.0 x 26mm	.....Locking
P43 ST128	3.0 x 28mm	.....Locking
P43 ST130	3.0 x 30mm	.....Locking

#### CoLink® Afx 3.5mm Low-Pro Cortical Screws

P73 ST010	3.5 x 10mm	.....Non-Locking
P73 ST012	3.5 x 12mm	.....Non-Locking
P73 ST014	3.5 x 14mm	.....Non-Locking
P73 ST016	3.5 x 16mm	.....Non-Locking
P73 ST018	3.5 x 18mm	.....Non-Locking
P73 ST020	3.5 x 20mm	.....Non-Locking
P73 ST022	3.5 x 22mm	.....Non-Locking
P73 ST024	3.5 x 24mm	.....Non-Locking
P73 ST026	3.5 x 26mm	.....Non-Locking
P73 ST028	3.5 x 28mm	.....Non-Locking
P73 ST030	3.5 x 30mm	.....Non-Locking
P73 ST032	3.5 x 32mm	.....Non-Locking

#### CoLag® Screws - see CoLag Screws @ In2Bones.com CoLag 2 Compression Screw, 4.0 x 20-50mm



#### CoLink® Afx 3.5mm Low-Pro Cortical Screws -cont.

CATALOG NO	DIA x LENGTH	STYLE
P73 ST034	3.5 x 34mm	.....Non-Locking
P73 ST036	3.5 x 36mm	.....Non-Locking
P73 ST038	3.5 x 38mm	.....Non-Locking
P73 ST040	3.5 x 40mm	.....Non-Locking

#### CoLink® Afx 3.5mm Locking Screws

P73 ST110	3.5 x 10mm	..... Locking
P73 ST112	3.5 x 12mm	..... Locking
P73 ST114	3.5 x 14mm	..... Locking
P73 ST116	3.5 x 16mm	..... Locking
P73 ST118	3.5 x 18mm	..... Locking
P73 ST120	3.5 x 20mm	..... Locking
P73 ST122	3.5 x 22mm	..... Locking
P73 ST124	3.5 x 24mm	..... Locking
P73 ST126	3.5 x 26mm	..... Locking
P73 ST128	3.5 x 28mm	..... Locking
P73 ST130	3.5 x 30mm	..... Locking
P73 ST132	3.5 x 32mm	..... Locking
P73 ST134	3.5 x 34mm	..... Locking
P73 ST136	3.5 x 36mm	..... Locking
P73 ST138	3.5 x 38mm	..... Locking
P73 ST140	3.5 x 40mm	..... Locking

#### CoLink® Afx 3.5mm Variable Angle Locking

P73 ST210	3.5 x 10mm	..... Variable
P73 ST212	3.5 x 12mm	..... Variable
P73 ST214	3.5 x 14mm	..... Variable
P73 ST216	3.5 x 16mm	..... Variable
P73 ST218	3.5 x 18mm	..... Variable
P73 ST220	3.5 x 20mm	..... Variable
P73 ST222	3.5 x 22mm	..... Variable
P73 ST224	3.5 x 24mm	..... Variable
P73 ST226	3.5 x 26mm	..... Variable
P73 ST228	3.5 x 28mm	..... Variable
P73 ST230	3.5 x 30mm	..... Variable
P73 ST232	3.5 x 32mm	..... Variable
P73 ST234	3.5 x 34mm	..... Variable
P73 ST236	3.5 x 36mm	..... Variable
P73 ST238	3.5 x 38mm	..... Variable
P73 ST240	3.5 x 40mm	..... Variable

#### CoLag 2 Fully Threaded Screw, 4.0 x 20-50mm



All content contained herein is furnished for informational purposes only. In2Bones does not recommend a particular surgical product or procedure suitable for all patients. Each surgeon must evaluate the appropriateness of a device and corresponding techniques based on medical training, clinical judgment and surgical experience. The proper surgical technique and/or procedure are the responsibility of the medical professional. Indications, contraindications, warnings, and precautions are listed in the implant package insert and should be reviewed carefully by the physician and operating room personnel prior to any proposed procedure. Availability of these products might vary from a given country or region to another as a result of specific local regulatory approval or clearance requirements for sale in such country or region.

**CAUTION:** Federal law (USA) restricts this device to sale and use by, or on the order of a physician.



A GLOBAL EXTREMITY COMPANY

### Corporate Headquarters

In2Bones Global, Inc. • Memphis, TN • USA  
844. 602. 6637 • Info@i2b-USA.com

### International Office

In2Bones SAS • Lyon • France  
+33 (0)4 72 29 26 26

In2Bones.com

FOLLOW US....



CoLink, CoLag and the In2Bones name and logo are trademarks of In2Bones or its affiliates. In2Bones USA Memphis TN, 38119 USA / In2Bones SAS, 69130 Ecully, France - © 2022 In2Bones USA, Memphis, TN • Patent Pending • All rights reserved • SP-19003-02 Rev A 0122