
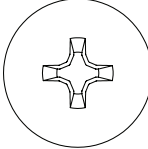
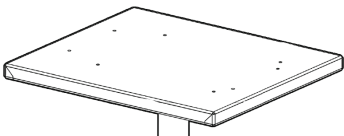

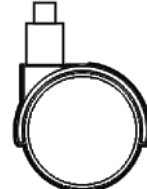
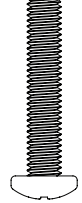
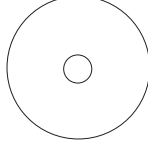


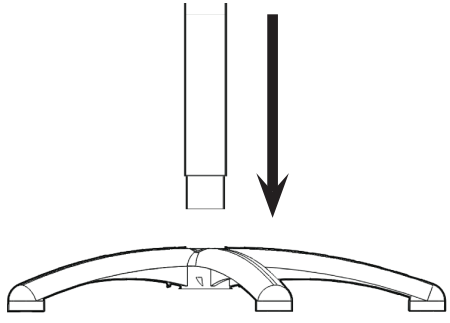
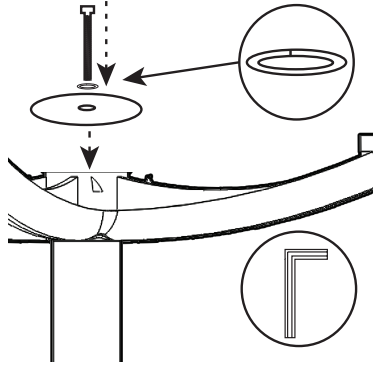
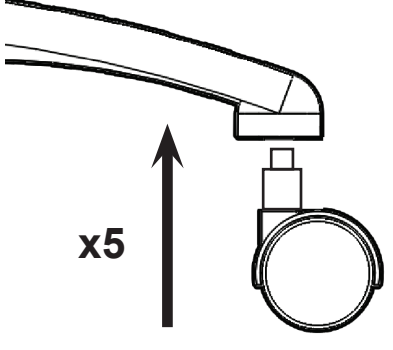
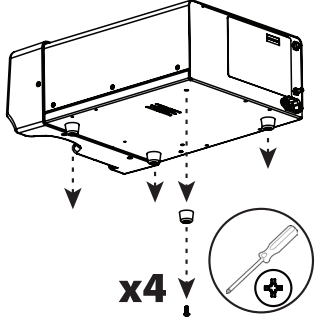
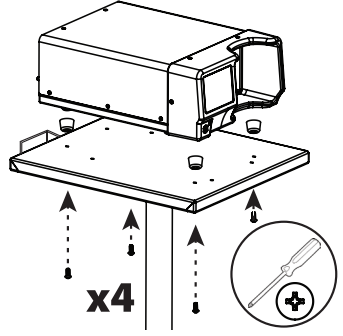
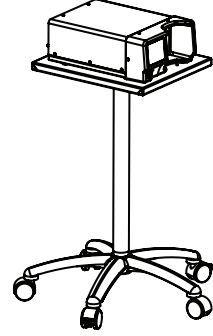


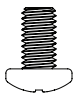
# EvacuCart™

## Portable Cart


Tool Required	Contents			
<p><b>Phillips-Head Screwdriver</b></p>  	 <p><b>x1</b></p>	 <p><b>x1</b></p>	 <p><b>x5</b></p>	 <p><b>x4</b></p>
	 <p><b>x1</b></p>		 <p><b>x1</b></p>	 <p><b>x1</b></p>


### Assembly

<p><b>1</b></p> 	<p><b>2</b></p> 	<p><b>3</b></p> 
<p><b>4</b></p>  <p><b>x4</b></p>	<p><b>5</b></p>  <p><b>x4</b></p>	<p><b>6</b></p> 

 **remove**

Only for use with Buffalo Filter smoke evacuators, (except Whisper 602).

 **replace**

 Do not hang or attach any other objects, cords or accessories, except power cord for Buffalo Filter surgical smoke evacuators.